

Position the OM in front of your prep room to generate customer interest and establish strong interpersonal contact.

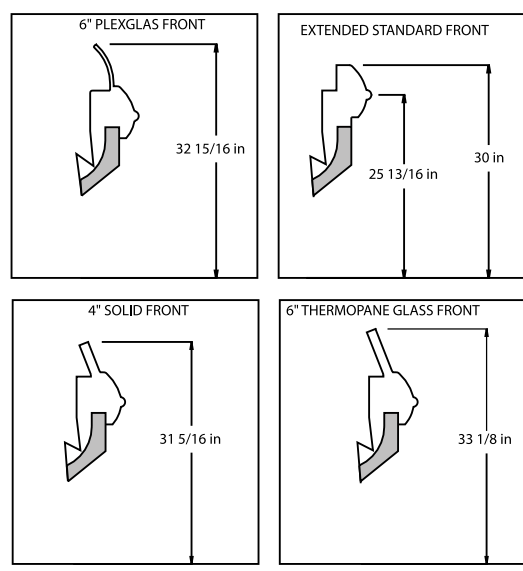
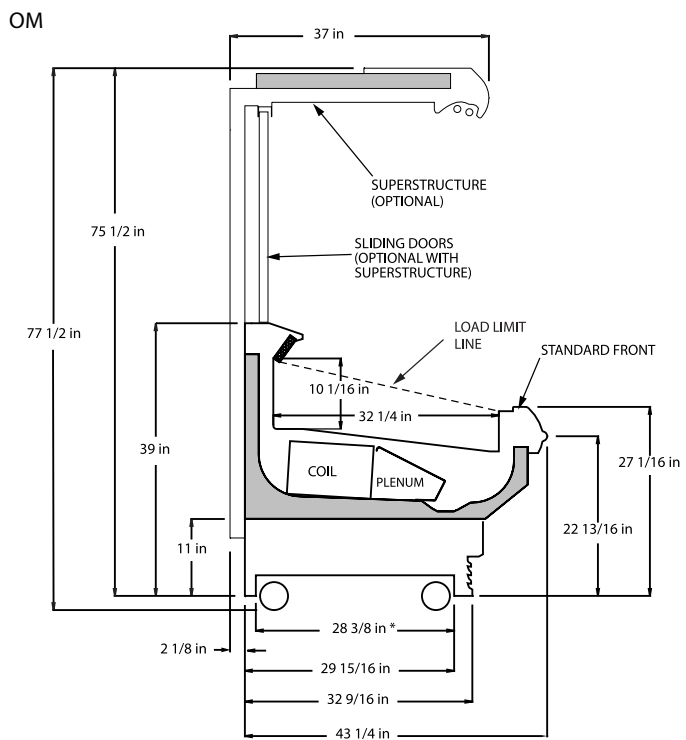
## Single Deck Meat/Seafood Case

OM

6" Plexiglass ORIGIN<sup>2</sup>  
Front Option Shown



**Hill PHOENIX**  
DISPLAY CASES



Please consult Hill PHOENIX Engineering Reference Manual for dimensions, plan views and technical specifications. Specifications subject to change without notice. Designed for optimal performance in store environments where temperature and humidity do not exceed 75°F and 55% R.H. Certified to UL 471 and ANSI/NSF Standard 7.



**Standard Options:**

- Four lengths available: 4', 6', 8', and 12'.
- Multiple front sill heights available for desired product application or merchandising format.
- Configure with a variety of front panel design options, including Standard ORIGIN<sup>2</sup>, Classic Hybrid, Classic Metal, and Flat Front.
- Superstructure option creates continuous lineups with our OHM multi-deck case; offers access doors (mirrored or glass) to prep room for customer interaction; provides additional lighting for added display impact.
- Variety of cornice lighting choices available for superstructure option.
- Adjustable wire racks provide display flexibility.
- ECM energy-efficient fan motors available.
- Standard off cycle defrost for cost-effective operation; electric, hot gas and reverse air defrost also available.

- Exclusive SmartValve™ energy-saving technology available.
- Environmentally-friendly Second Nature® secondary coolant application available.

**Features and Benefits:**

- Unique design ensures uniform case performance and lower average product temperatures with optimum energy efficiency.
- All-steel construction for increased life span and structural integrity.
- Seamless tank liner provides positive drain runoff and enhanced sanitation.
- Bottom-mounted copper coil and lift-up fan plenum with easily-removable fan basket and motor assembly for ease of maintenance.
- Integrated, two-part polymer bumper systems provide unparalleled protection and durability.
- Removable castors for easy merchandiser unloading, movement and placement.



1925 Ruffin Mill Rd., Colonial Heights, VA 23834  
 804-526-4455 phone • 804-526-2804 fax  
 website: www.hillphoenix.com  
 e-mail: marketing-case@hillphoenix.com